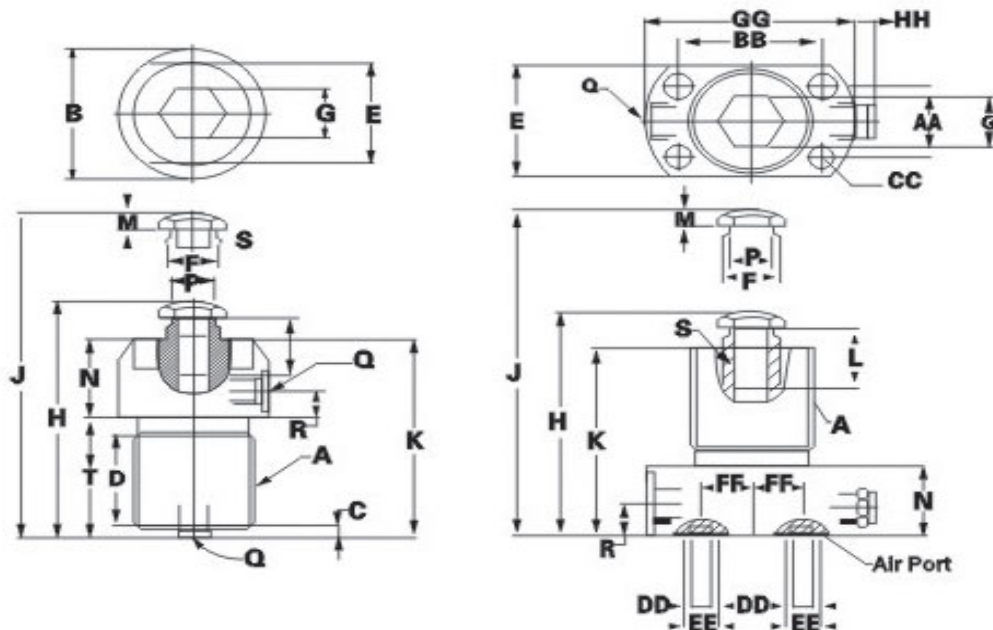
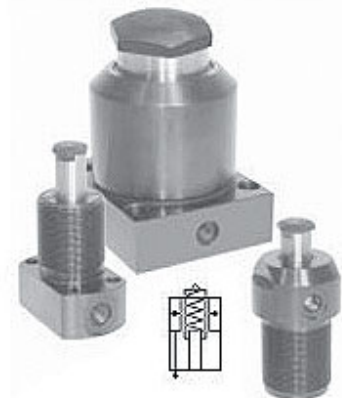


ENERPAC 高压浮动支撑油缸

Pmax: 350kg/cm²

特性資料 Specification

類型 Type	SP0107	SP0111	SP0122	SP0133	SP0144
進油容量 Oil capacity(cm ³)	0.66	0.98	3.11	3.93	4.92
液壓油最大流速 Max oil flow(L/min)	0.7	1.0	3.11	3.9	4.9
總行程 Total stroke (mm)	9.7	9.7	10.4	13.5	16.5
使用液體 Fluid	已濾清之標準液壓油 Filtered oil				
一般工作壓力 normal operation pressure(kg/cm ²)	48—350kg/cm ²				
作動方式 Acting type	單動式 Single acting				



尺寸一覽表 Dimension table

MODEL	AA	BB	CC	DD	EE	FF	GG	HH	A	B	C	D	E	F	G	H	J	K	L	M	N	P	Q	R	S	T
SP0107	---	---	---	---	---	---	---	---	M35*1.5	48.4	3.6	33.0	34.0	15	17	77.7	87.4	67.8	13.5	4.6	25.9	12.4	G1/8	21.3	M10*1.5	41.9
SP0111	23.9	41.1	17.2	5.8	9.4	14.5	60.5	7.1	M35*1.5	---	---	---	38.1	16	17	82.6	92.2	64.5	18.5	4.6	23.9	12.4	G1/4	11.2	M10*1.5	---
SP0122	55.4	55.4	48.6	14.2	14.2	27.4	70.0	7.1	M68*1.5	---	---	---	69.9	38	24.1	83.3	101.3	74.9	23.4	6.1	24.9	25.4	G1/4	12.2	M20*2.5	---
SP0133	82.0	62.0	8.6	14.2	14.2	30.5	76.2	7.1	---	---	---	---	76.2	45	24.1	96.3	109.7	85.3	23.6	6.1	28.9	30	G1/4	13.5	M20*2.5	---
SP0144	74.7	74.7	8.6	14.2	14.2	36.6	88.9	7.1	---	---	---	---	88.9	55	24.1	110.2	126.7	100.3	31.5	6.1	30	36.6	G1/4	13.5	M20*2.5	---

公司地址：上海市静安区新闸路 1161 号 A1 室 邮编 200041

电话：021-51872743

传真：021-62275540

公司网站：www.fdzc.net

E-mail：chengff@sh163.net