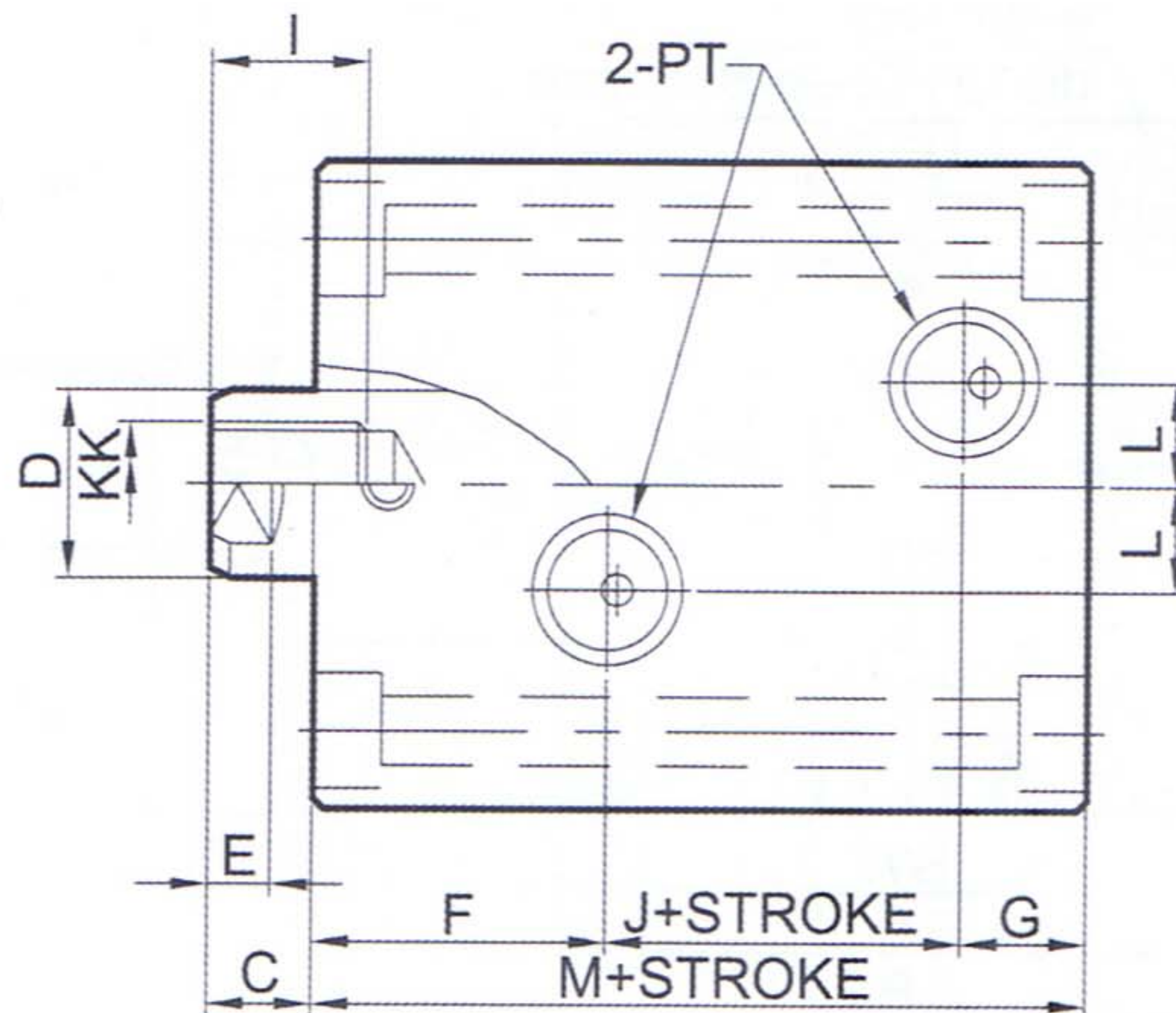
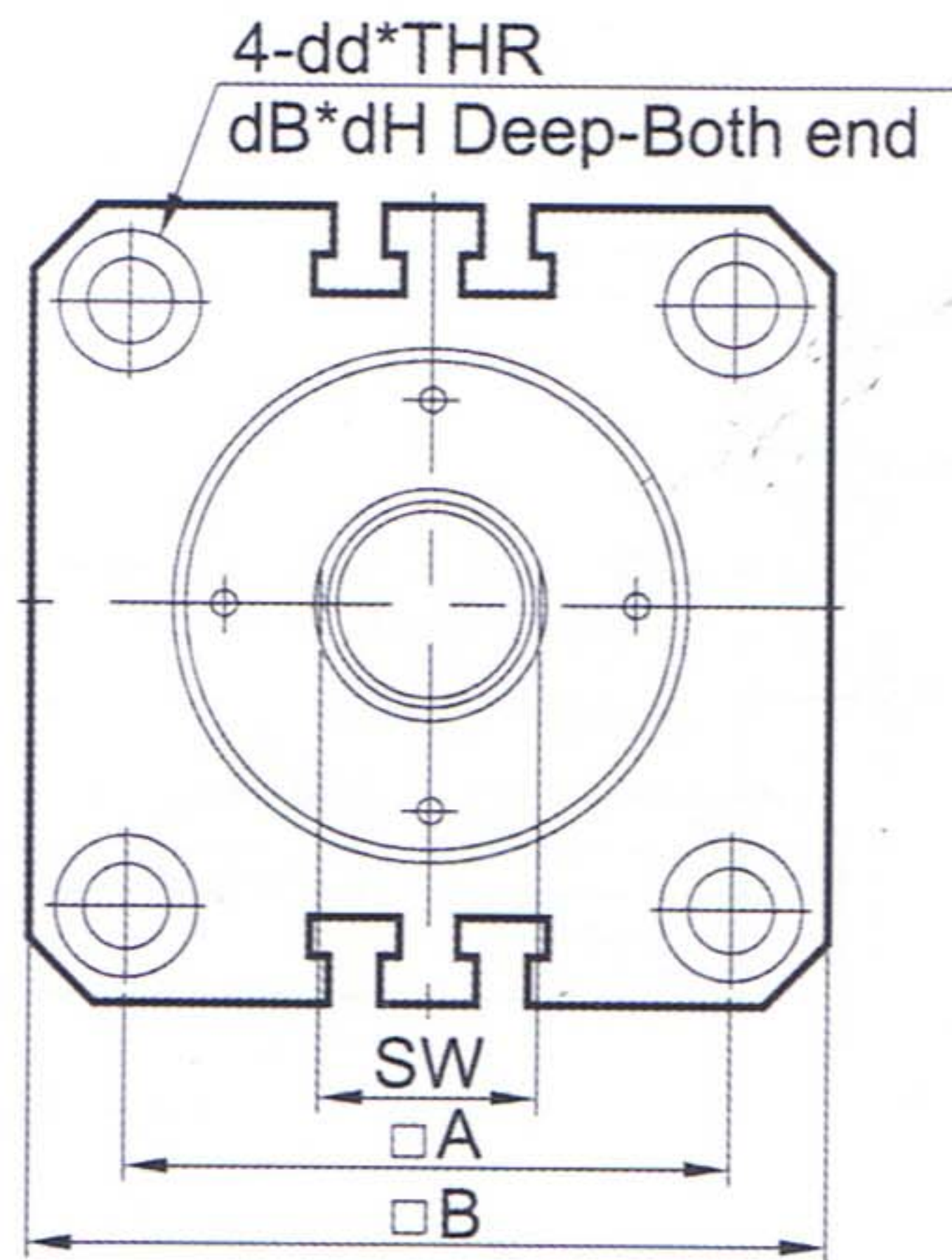


# 感应型薄型油缸 Hydraulic Block Cylinder

## 外觀尺寸圖 Dimensions Tables

● HCS-SD-□□□-□□□□-IN

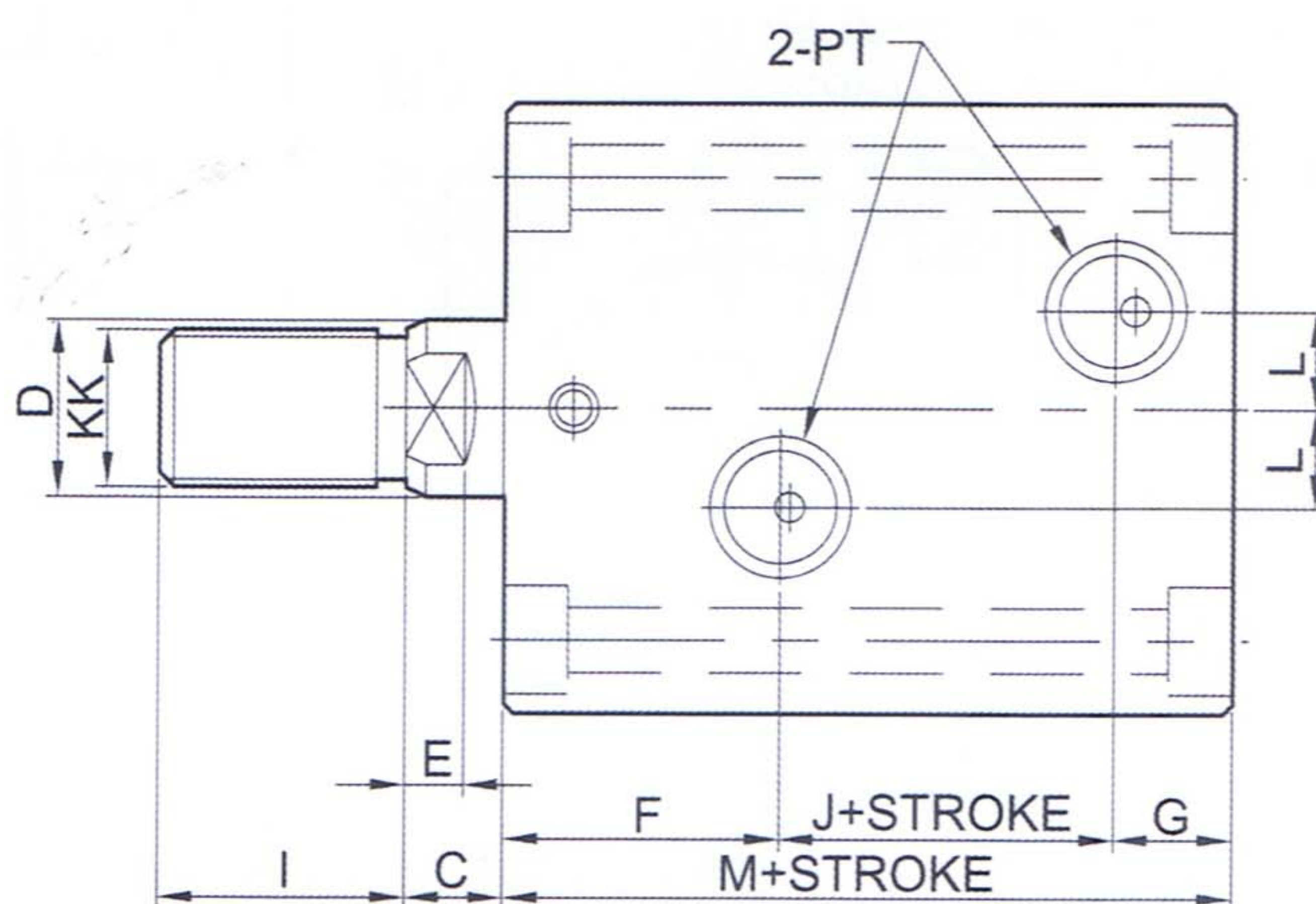
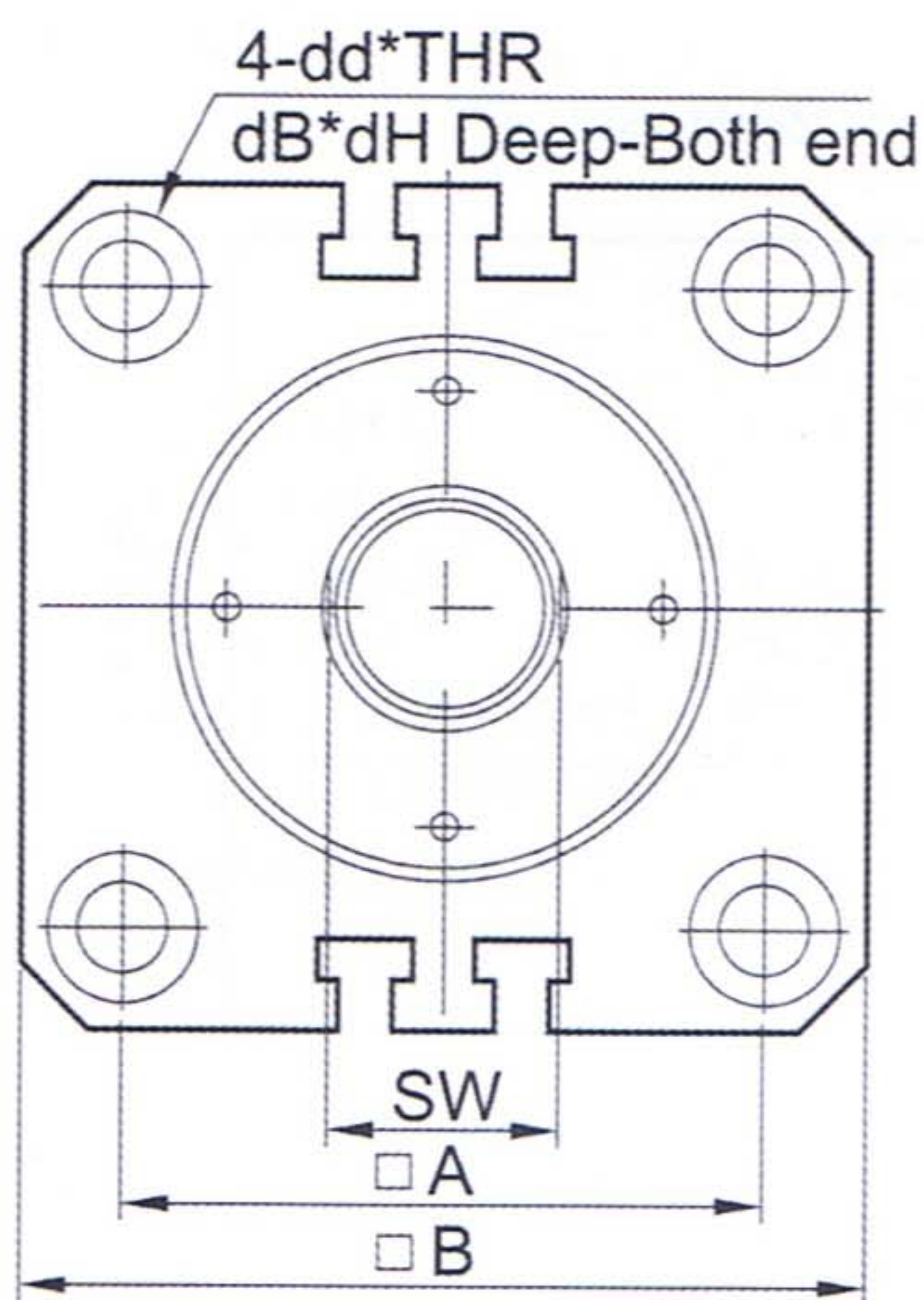


Unit:mm

|       | A   | B   | C  | D      | dB     | dd    | dH   | E  | F    | G  | I  | J    | KK        | L  | M  | PT      | SW |
|-------|-----|-----|----|--------|--------|-------|------|----|------|----|----|------|-----------|----|----|---------|----|
| φ 20  | 30  | 42  | 8  | φ 12   | φ 9.5  | φ 5.5 | 5.4  | 6  | 20.5 | 12 | 10 | 10.5 | M8*P1.25  | 5  | 43 | Rc 1/8" | 10 |
| φ 25  | 36  | 50  | 8  | φ 14   | φ 9.5  | φ 5.5 | 5.4  | 6  | 20.5 | 12 | 12 | 12.5 | M10*P1.5  | 7  | 45 | Rc 1/8" | 12 |
| φ 32  | 47  | 62  | 10 | φ 18   | φ 11   | φ 6.6 | 6.5  | 7  | 28   | 12 | 15 | 14   | M12*P1.75 | 10 | 54 | Rc 1/4" | 16 |
| φ 40  | 52  | 70  | 10 | φ 22.4 | φ 14   | φ 9   | 8.6  | 7  | 28   | 12 | 20 | 15   | M16*P2.0  | 10 | 55 | Rc 1/4" | 21 |
| φ 50  | 58  | 80  | 11 | φ 28   | φ 17.5 | φ 11  | 10.8 | 8  | 28   | 13 | 24 | 19   | M20*P2.5  | 10 | 60 | Rc 1/4" | 25 |
| φ 63  | 69  | 94  | 13 | φ 35.5 | φ 20   | φ 14  | 13   | 9  | 30   | 13 | 33 | 24   | M27*P3.0  | 10 | 67 | Rc 1/4" | 31 |
| φ 80  | 86  | 114 | 17 | φ 45   | φ 23   | φ 16  | 15.2 | 14 | 35   | 18 | 33 | 25   | M30*P3.5  | 15 | 78 | Rc 1/4" | 41 |
| φ 100 | 102 | 134 | 17 | φ 56   | φ 26   | φ 18  | 17.5 | 14 | 39   | 18 | 40 | 36   | M36*P4.0  | 15 | 93 | Rc 3/8" | 50 |

## 外觀尺寸圖 Dimensions Tables

● HCS-SD-□□□-□□□□-EX



Unit:mm

|       | A   | B   | C  | D      | dB     | dd    | dH   | E  | F    | G  | I  | J    | KK        | L  | M  | PT      | SW |
|-------|-----|-----|----|--------|--------|-------|------|----|------|----|----|------|-----------|----|----|---------|----|
| φ 20  | 30  | 42  | 8  | φ 12   | φ 9.5  | φ 5.5 | 5.4  | 6  | 20.5 | 12 | 15 | 10.5 | M10*P1.25 | 5  | 43 | Rc 1/8" | 10 |
| φ 25  | 36  | 50  | 8  | φ 14   | φ 9.5  | φ 5.5 | 5.4  | 6  | 20.5 | 12 | 18 | 12.5 | M12*P1.25 | 7  | 45 | Rc 1/8" | 12 |
| φ 32  | 47  | 62  | 10 | φ 18   | φ 11   | φ 6.6 | 6.5  | 7  | 28   | 12 | 25 | 14   | M16*P1.5  | 10 | 54 | Rc 1/4" | 16 |
| φ 40  | 52  | 70  | 10 | φ 22.4 | φ 14   | φ 9   | 8.6  | 7  | 28   | 12 | 30 | 15   | M20*P1.5  | 10 | 55 | Rc 1/4" | 21 |
| φ 50  | 58  | 80  | 11 | φ 28   | φ 17.5 | φ 11  | 10.8 | 8  | 28   | 13 | 35 | 19   | M24*P1.5  | 10 | 60 | Rc 1/4" | 25 |
| φ 63  | 69  | 94  | 13 | φ 35.5 | φ 20   | φ 14  | 13   | 9  | 30   | 13 | 45 | 24   | M30*P1.5  | 10 | 67 | Rc 1/4" | 31 |
| φ 80  | 86  | 114 | 17 | φ 45   | φ 23   | φ 16  | 15.2 | 14 | 35   | 18 | 60 | 25   | M39*P1.5  | 15 | 78 | Rc 1/4" | 41 |
| φ 100 | 102 | 134 | 17 | φ 56   | φ 26   | φ 18  | 17.5 | 14 | 39   | 18 | 75 | 36   | M48*P1.5  | 15 | 93 | Rc 3/8" | 52 |

网址: [www.fdzc.net](http://www.fdzc.net) 联系人: 程家雄 手机: 13601809714

联系电话: 021-51872743

E-mail: [chengff@sh163.net](mailto:chengff@sh163.net)