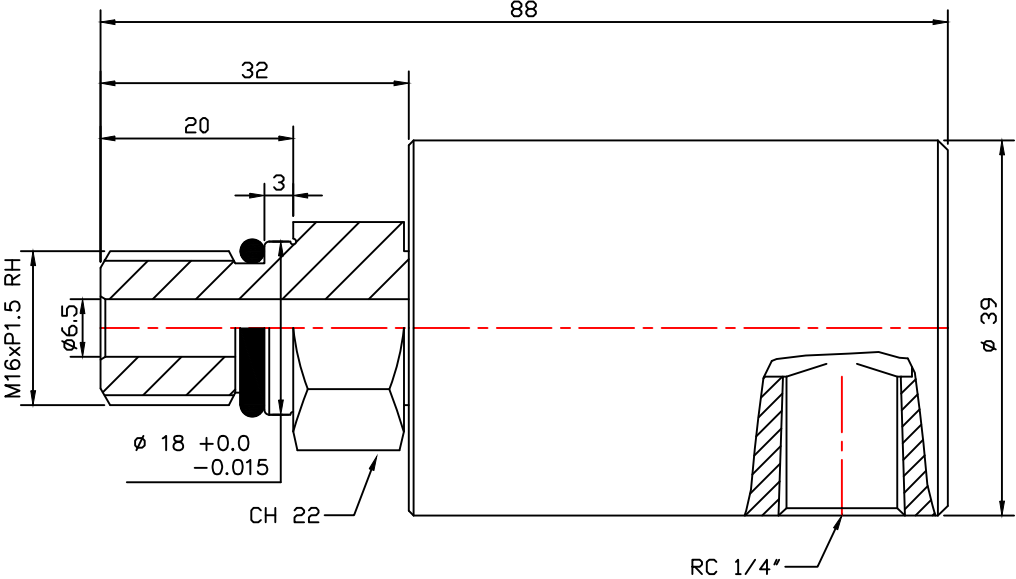


Rotary Joint

RF08M16RP01N2AC



RF-TYPE INSTALLATION

