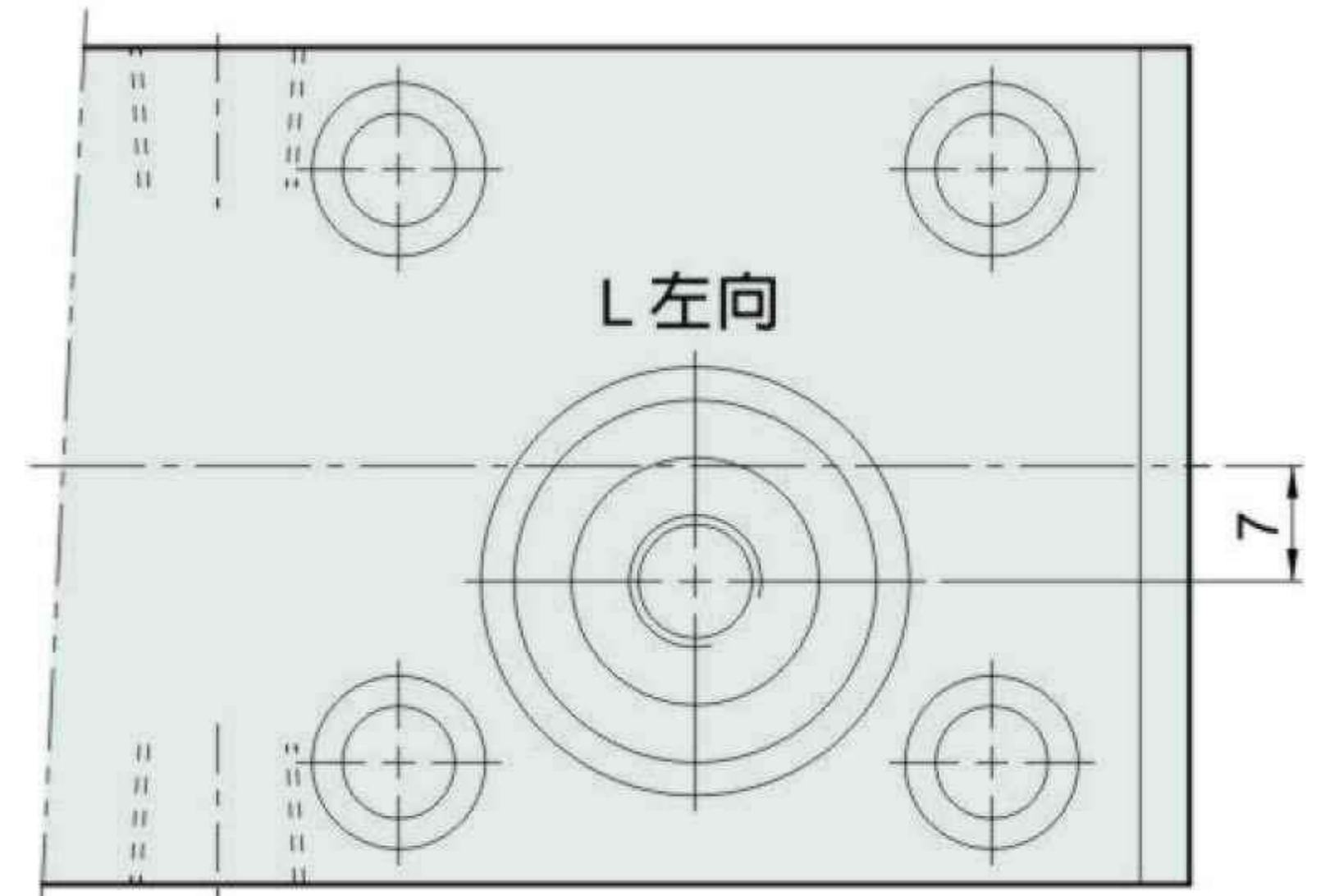
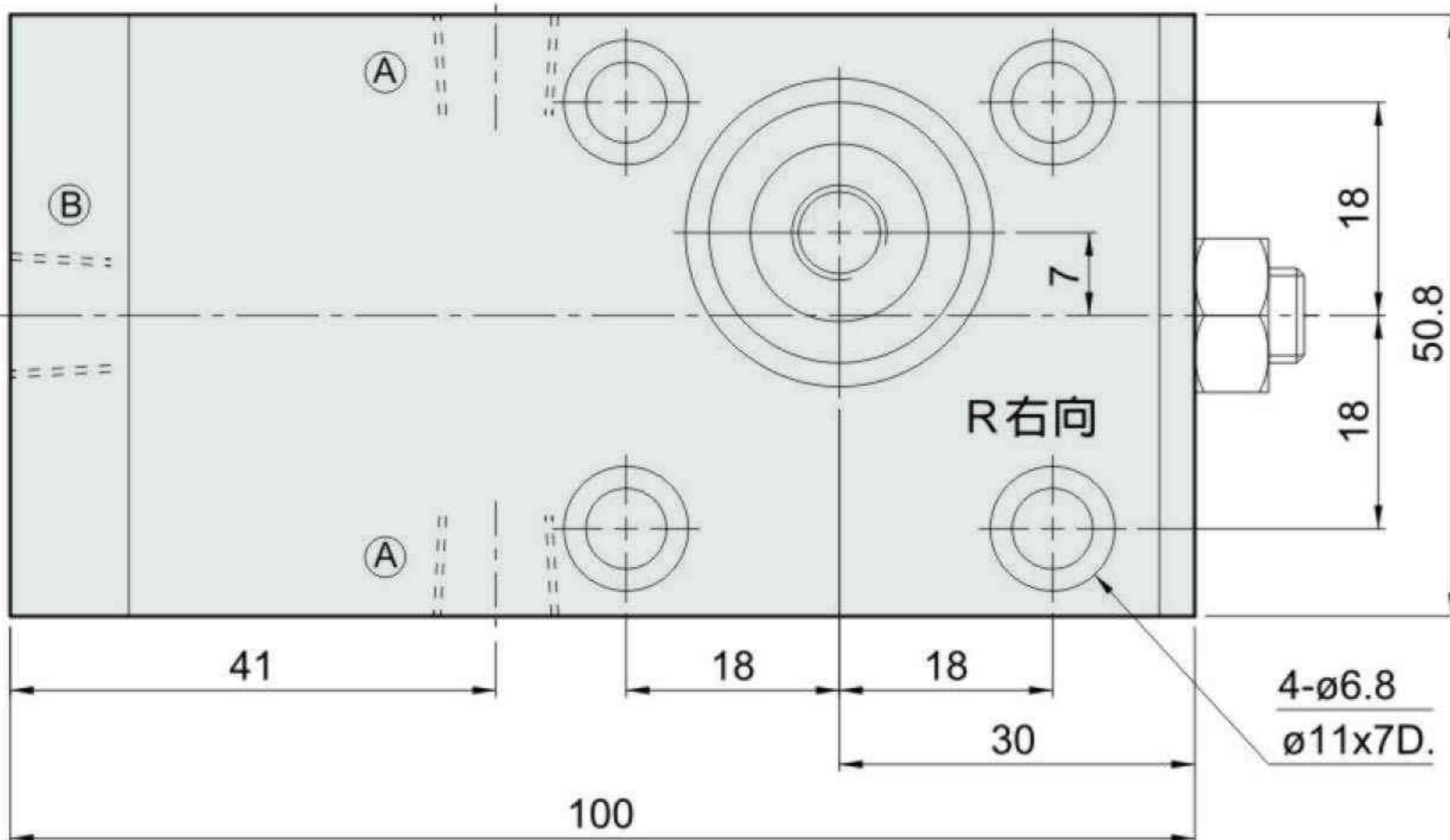
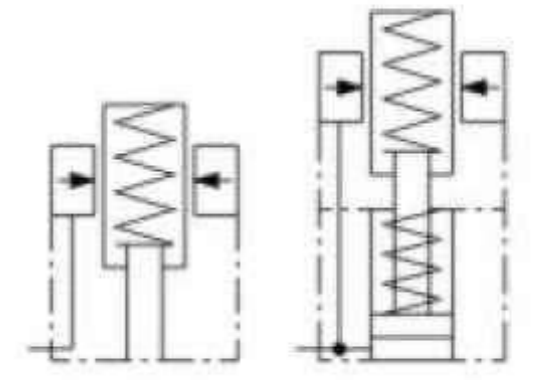
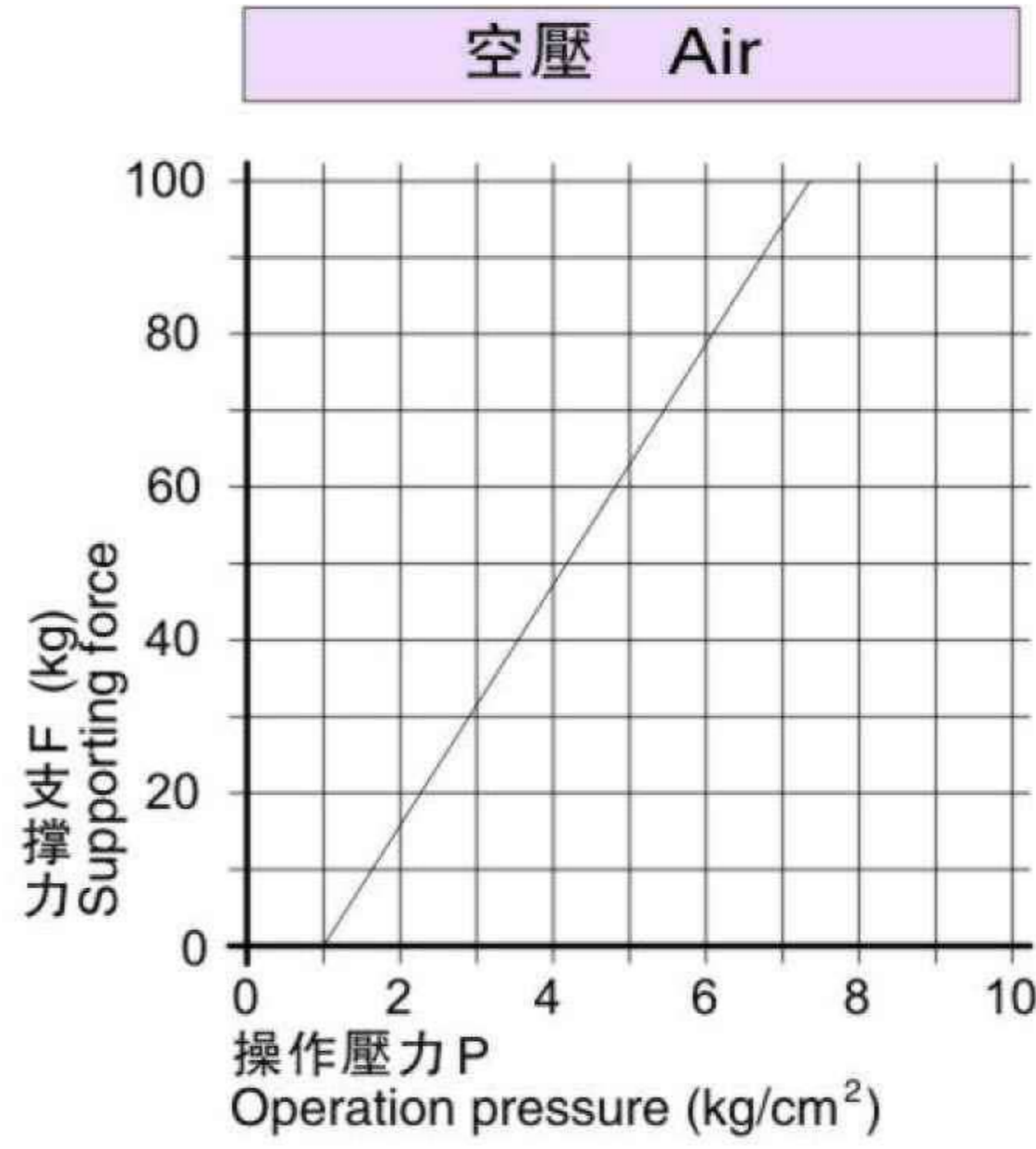
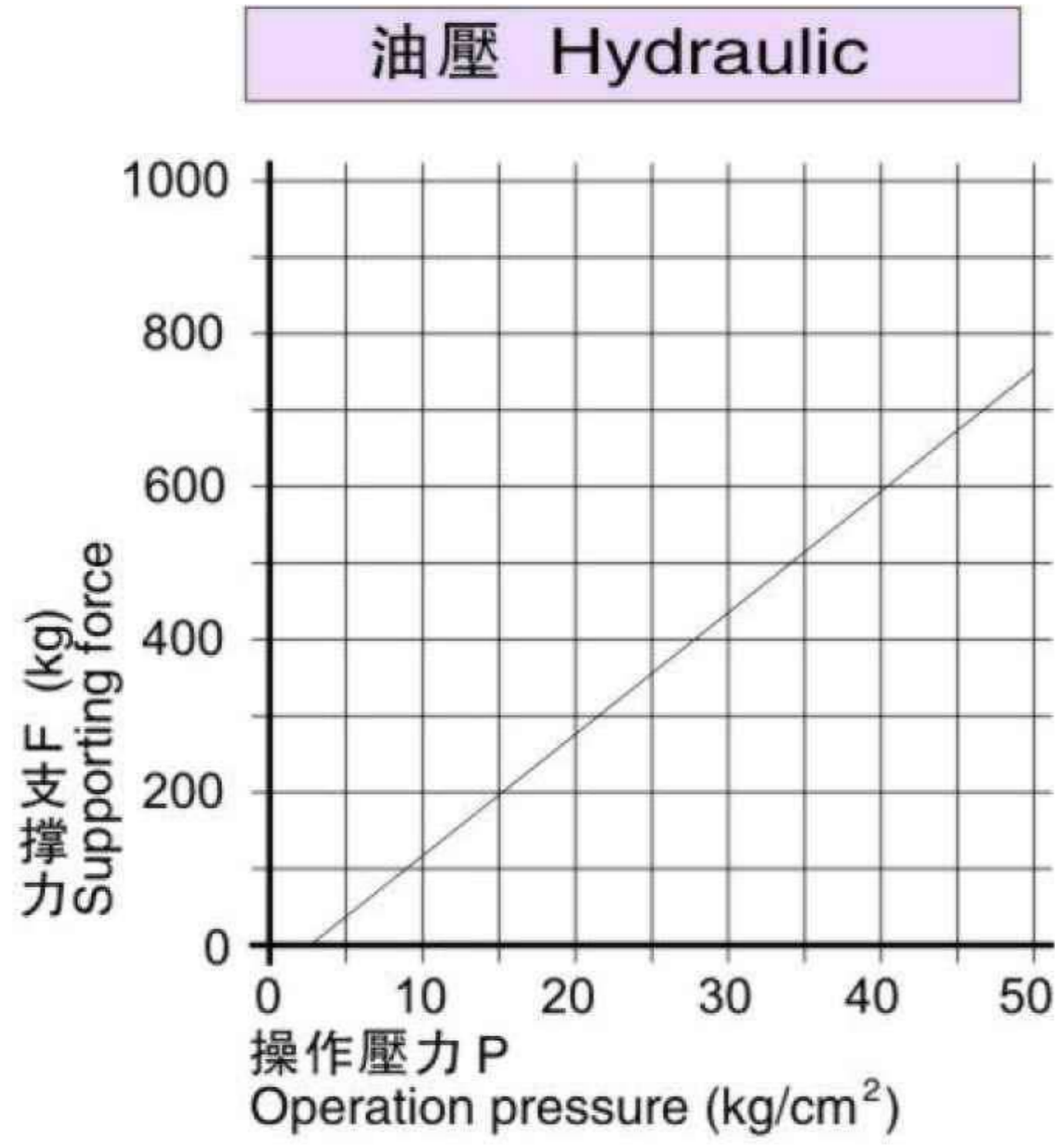


Air-Hydraulic Supporting Cylinder

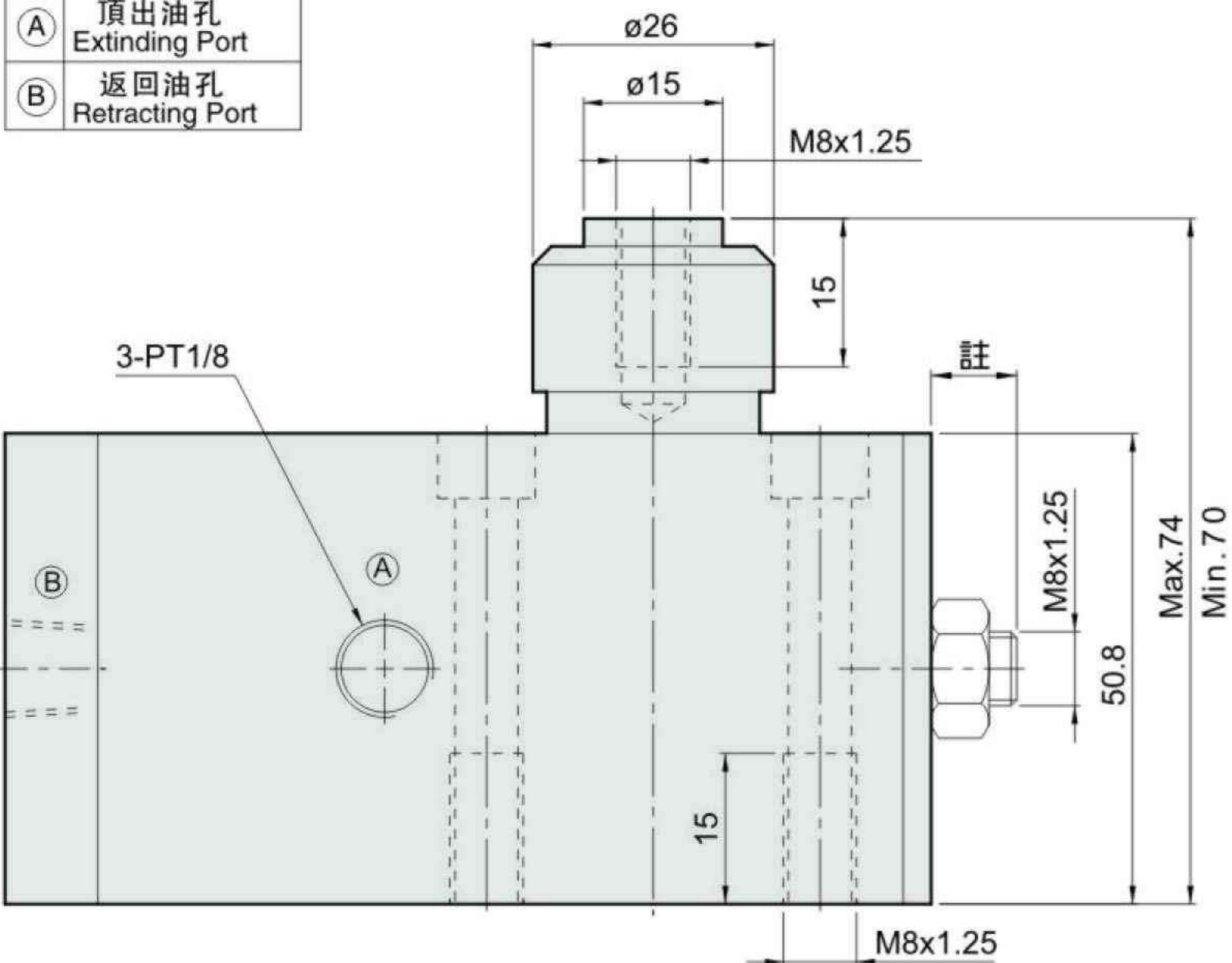
SP-AH series

Rod: $\phi 18\text{mm}$

最大使用壓力 Max: 70kg/cm^2



- (A) 頂出油孔 Extending Port
- (B) 返回油孔 Retracting Port



Ordering Code

SP - AH 18 R A
 ↑ ↑ ↑ ↑ ↑
 ① ② ③ ④ ⑤

①	系列別 Series
②	空油壓兩用型 Air-hydraulic type
③	頂杆軸徑 Diameter of the extended piston rod
④	R右向; L左向 Turn right R; Turn left L
⑤	A彈簧頂出型 A:Spring extended piston B油壓頂出型 B:Hydraulic extended piston

*註: 附A.B型調整螺絲

A:彈簧頂出型-往內調整

B:油壓頂出型-往外調整

*Note: With A, B type adjusting screw.

A: Spring extended piston rod-adjust inward.

B: Hydraulic extended piston rod-adjust outward.

weight 重量: 1.7kg

網址: www.fdzc.net 联系人: 程家雄 手机: 13601809714

联系电话: 021-51872743

E-mail: chengff@sh163.net