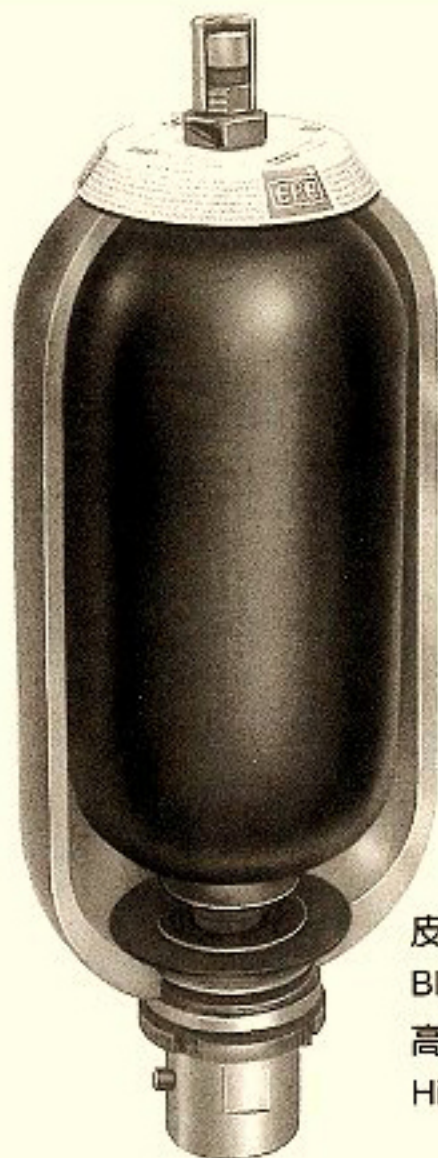


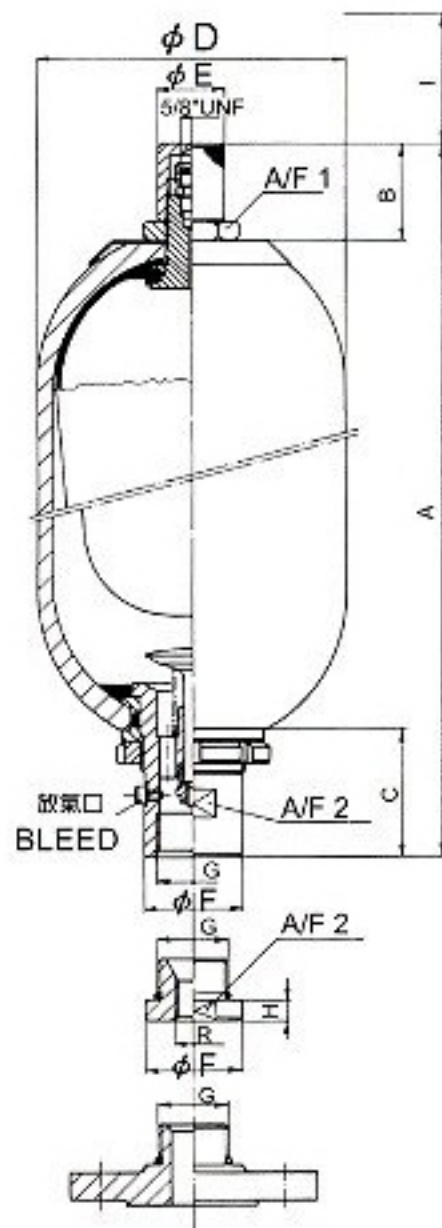
# 高壓力皮囊式蓄壓器 High pressure bladder accumulator

## 設計之特性 Technical features

- 最大工作壓力 Max working pressure : 330bar
- 測試壓力 Test pressure : 最大工作壓力 × 1.5 ( max working pressure × 1.5 )
- 溫度範圍 Temperature range : -40°C to +80°C
- 容量 Nominal capacities : 0.2 ÷ 55 公升(litres)



皮囊式蓄壓器  
Bladder accumulators  
高壓力範圍  
High Pressure range



## 尺寸及規格 Sizes and dimensions

型號 type	最大工作壓力 吧(bar) Max work. pressure	N <sub>2</sub> 容積 公升(Liters) Gas volume	淨重 公斤(kg) Dry Weight	出油口接頭尺寸 "G" Fluid port connection		A (mm)	B (mm)	C (mm)	φD (mm)	φE (mm)	φF (mm)	H (mm)	I* (mm)	A/F 1 (mm)	A/F 2 (mm)
				G(B.S.P)	R(B.S.P)										
AS 0.2	330-210	0.2	1.4	1/2"	-	249	22	41	51	20	26	-	-	24	23
AS 0.7	330-	0.65	3.9	3/4"	0=blind	280	47	52	90	25	36	11	140	32	32
AS 1	330-	1	4.5		3/8"	300									
AS 1.5	330-	1.5	7.1		1/2"	355									
AS 3	330-	2.95	11	1 1/4"	0=blind	550	65	114	25	53	11	140	32	50	
AS 5	330-	5	13		3/8"-1/2"-3/4"	455									168
AS 10	330-	9.1	38	2"	0=blind 3/8"、1/2" 3/4"、1 1 1/4"、1 1/2"	570	60	101	220	55	77	11	140	70	70
AS 15	330-	14.5	45			720									
AS 20	330-	18.2	53			875									
AS 25	330-	23.5	63			1050									
AS 35	330-	33.5	83			1390									
AS 55	330-	50	115			1900									

網址: [www.fdzc.net](http://www.fdzc.net) 联系人: 程家雄 手机: 13601809714

联系电话: 021-51872743

E-mail: [chengff@sh163.net](mailto:chengff@sh163.net)